

- Ligature resistant construction for use in behavioral health environments
- Integrated photocell optional, with integral deadband, latency, and fade-in/fade-out state transitions built in to eliminate nuisance cycling
- Compatible with Acuity DC2DC architecture
- Low Lumen Output .50W & High Lumen Output 1.6W
- Static white or Amber options
- Wet location, IK10, IP66 when sealed from room side
- Antimicrobial matte finish

TYPICAL APPLICATIONS

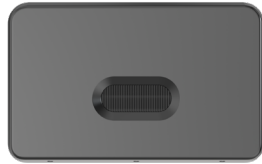
Behavioral health resident room, lavatory, corridor, nursing station



Finishes and Other Orientations

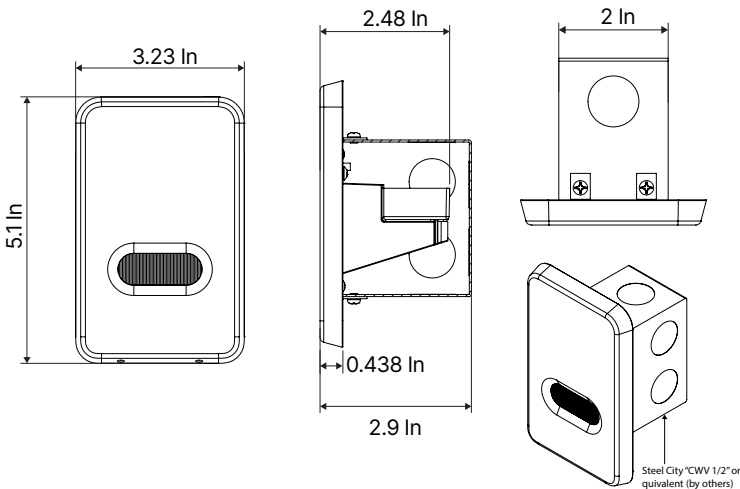


Oval
Matte White
Antimicrobial



Horizontal
Matte Black
Antimicrobial

Vertical Dimensions



Performance Data

Lumen values are from photometric tests from an accredited laboratory. Data is considered to be representative of the configurations shown, within generally accepted industry tolerances.

	HLO			LLO		
	Delivered Lumens	Input Watts	Lumens/Watt	Delivered Lumens	Input Watts	Lumens/Watt
2700K	81	1.56	52	24	0.46	52
3000K	83	1.56	53	24	0.46	52
3500K	85	1.56	54	25	0.46	54
4000K	89	1.56	57	26	0.46	57
AMBER	50	1.53	33	21	0.62	34

Catalog Number

Example: **NBNL VTO LLO MVOLT 35K MWAM**

Series*	Orientation*	Direct Lumen Output*	Voltage*	LED Color Temperature*	Photocontrol	Certification	Finish*
NBNL Behavioral Health Nightlight	VTO Vertical Orientation	LLO Low Lumen Output	MVOLT 120-277V 57VDC 57 Volt DC	27K 2700K	(Blank) Not Required PC Integrated Photocell	(Blank) Not Required NOM NOM Certification	MWAM Matte White Antimicrobial MBKAM Matte Black Antimicrobial
	HZO Horizontal Orientation			30K 3000K			
	OVO Oval Orientation	HLO High Lumen Output	35K 3500K				
			40K 4000K				
				AMB Amber			

* Required Fields

Accessories: Order as separate catalog number

TWJBOX Thru-Wall Junction Box

Specifications

Housing

Die-cast aluminum shroud and machined faceplate with no visible fasteners as seen from standard viewing angles.

Finish

Painted in durable polyester powder coat paint with antimicrobial* additive. Available in two standard solid matte colors. *Antimicrobial properties are built in to inhibit the growth of bacteria that may affect this product. The antimicrobial properties do not protect users or others against bacteria, viruses, germs, or other pathogens.

Mounting

Recommended mounting height of 18in to the faceplate bottom. Fixture designed to mount to a Steel City junction box or equivalent. (provided by others) Recommended switch box for new work installation Steel City CWV ½". Existing work installation Steel City CY ½". Must be a minimum of 3" X 2" X 2.5" depth. Thru-Wall Junction Box requires 2x mud rings provided by others.

Source

LED available with four static white color temperatures/90 CRI or amber option all within a 3 MacAdam ellipse.

Driver

Integral electronic driver for 120 through 277v. Complies to FCC CFR Title 47 Part 15, Class A EMI noise rating.

LED Life

LED rated for >60,000 hours L80 at 25°C ambient temperature.

Environment

Suitable for wet location. Wet location from front of faceplate only.

Components on backside of faceplate/recessed into wall are damp location. IK10, IP66 with no-pick caulk around faceplate (provided by others).

Certification

Certified to meet U.S. and Canadian standards conforming to UL1598 and CAN/CSA C22.2 No. 250.0. NOM certified.

Government Procurement

BAA – Buy American Act: This product is available in a version that qualifies as a domestic end product under the Buy American Act as implemented in the FAR and DFARS.
BABA – Build America Buy America: This product is available in a version that qualifies as produced in the United States under the definitions of the Build America, Buy America Act, as implemented by 2 C.F.R. Part 184 and other agency implementing regulations, including Department of Transportation regulations. Please refer to www.acuitybrands.com/resources/buy-american for additional information.

Warranty

5-year limited warranty. This is the only warranty provided and no other statements in this specification sheet create any warranty of any kind. All other express and implied warranties are disclaimed. Complete warranty terms are located at: www.acuitybrands.com/support/warranty/terms-and-conditions

Notes:

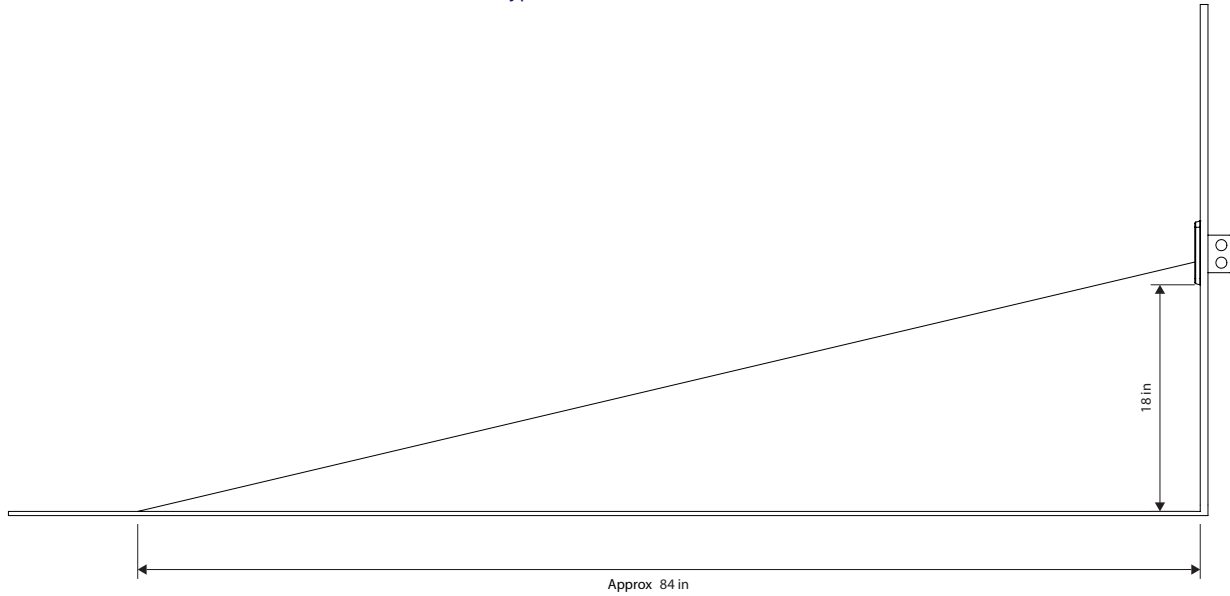
Actual performance may differ as a result of end-user environment and application.

All values are design or typical values, measured under laboratory conditions at 25 °C.

Specifications subject to change without notice.

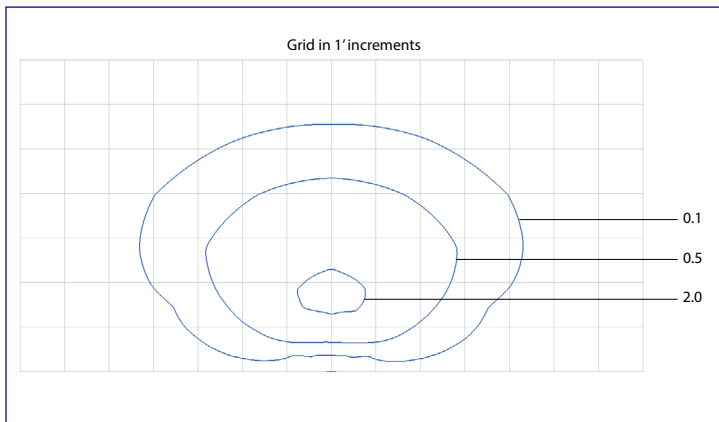
Distribution

Typical Distribution Based on 35K

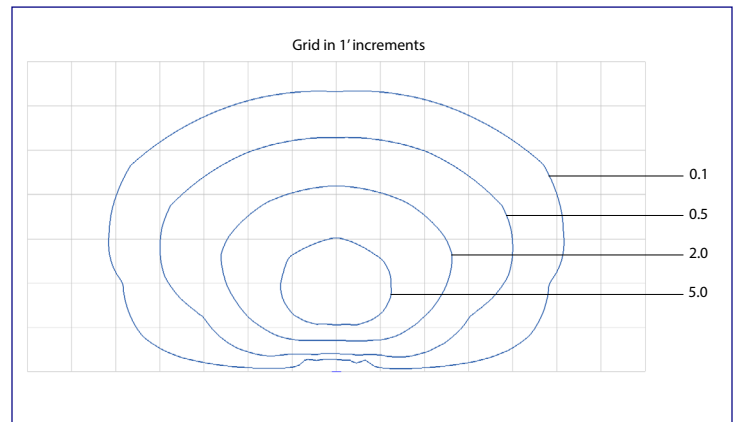


Typical Distribution Based on 35K

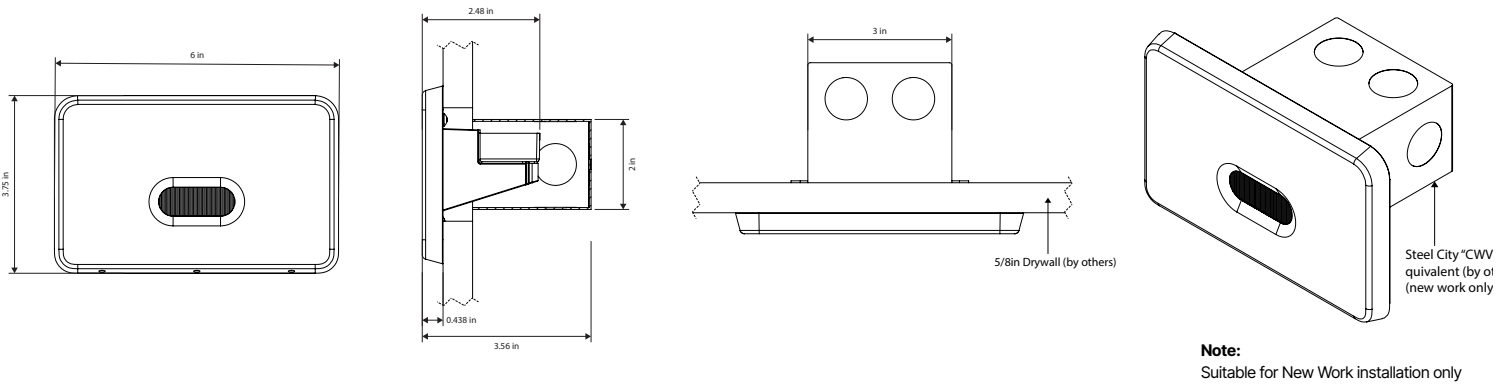
35K LLO



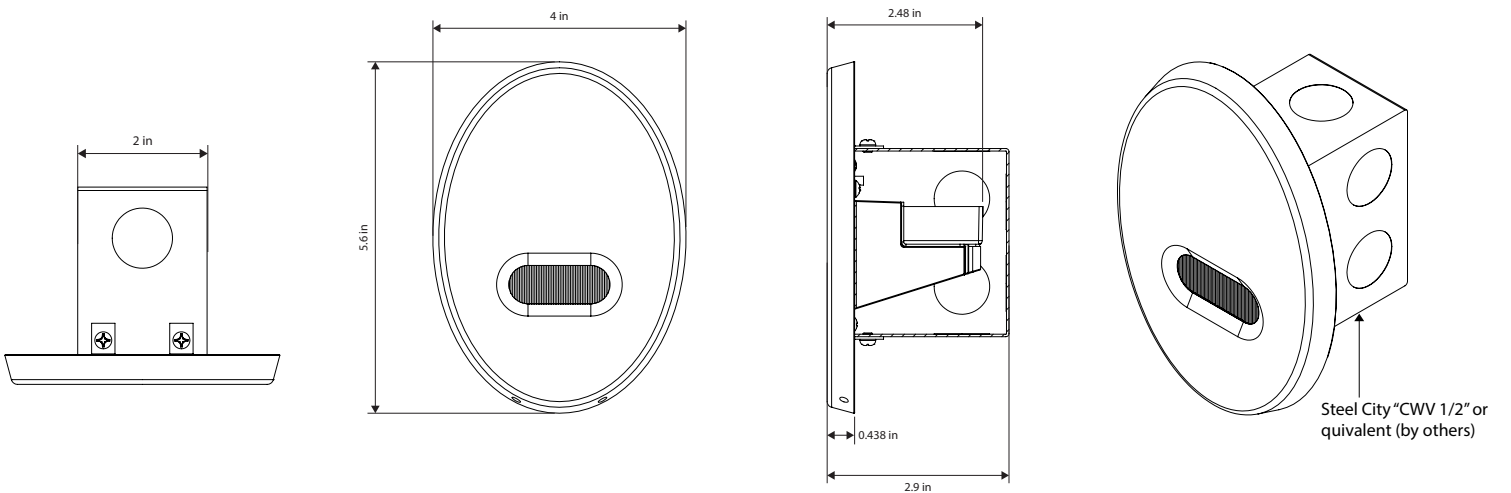
35K HLO



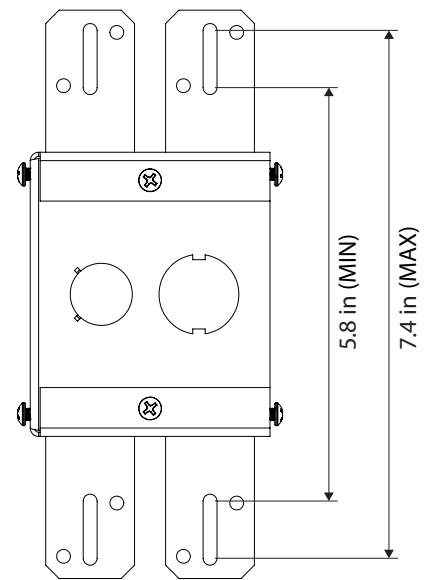
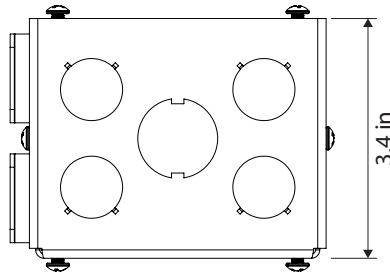
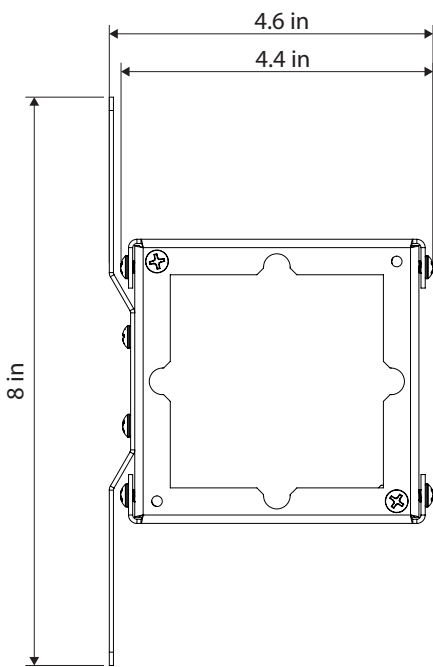
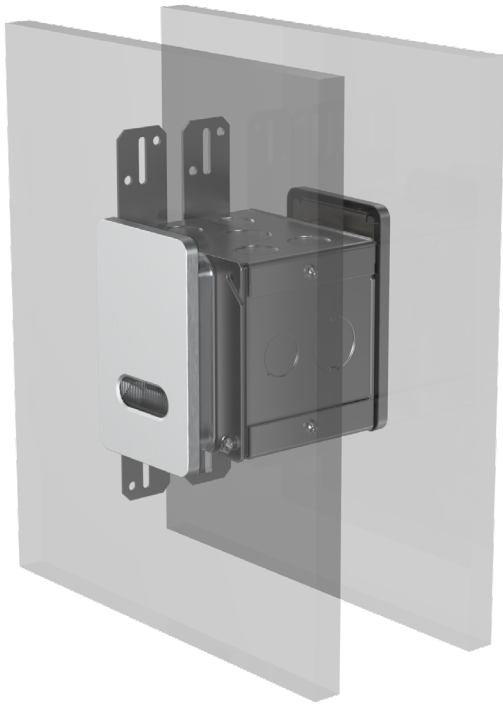
Horizontal Dimensions



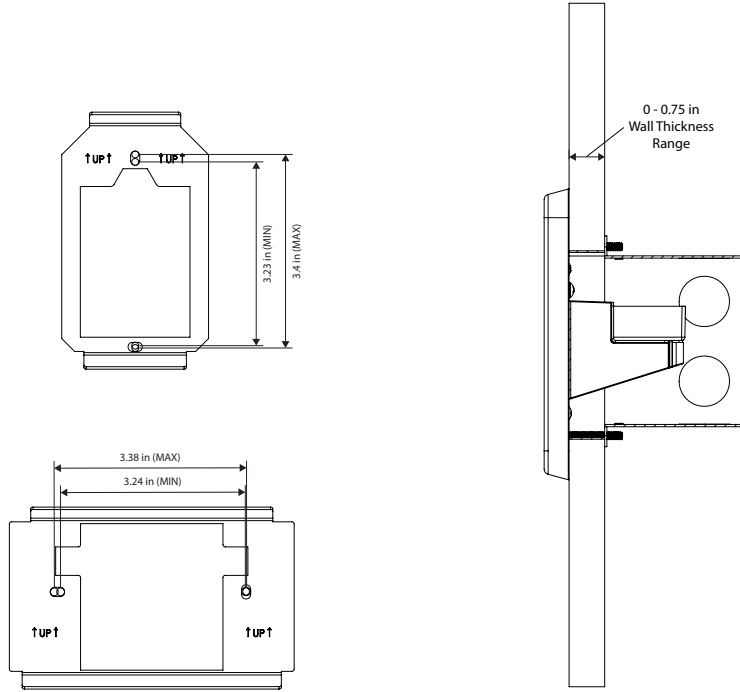
Oval Orientation Dimensions



TWJBOX Overall Dimensions

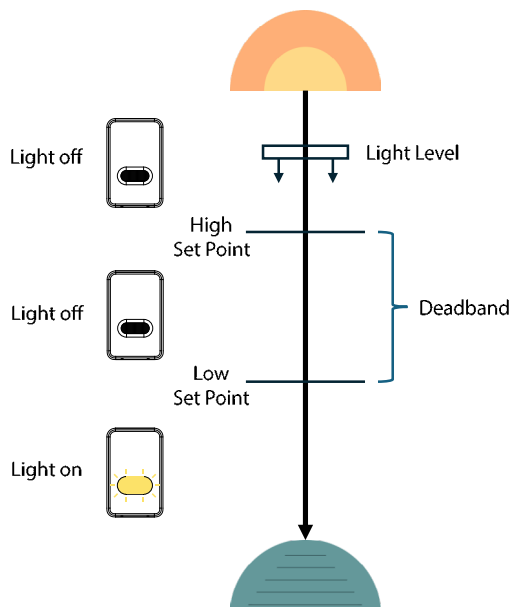


Min-Max Field Conditions

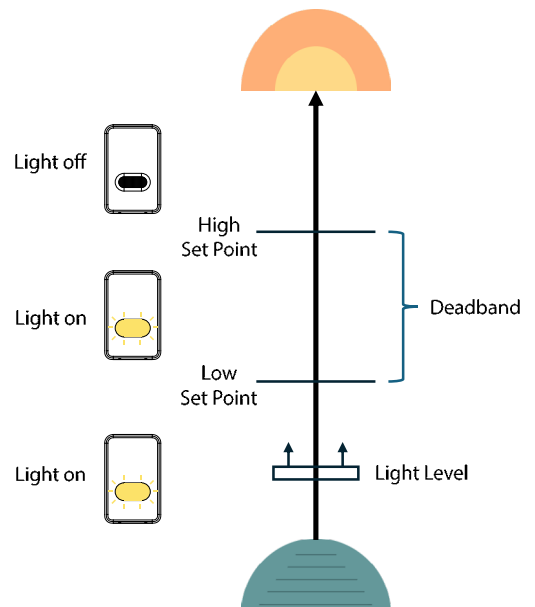


Photocell Details

Decreasing Light Level

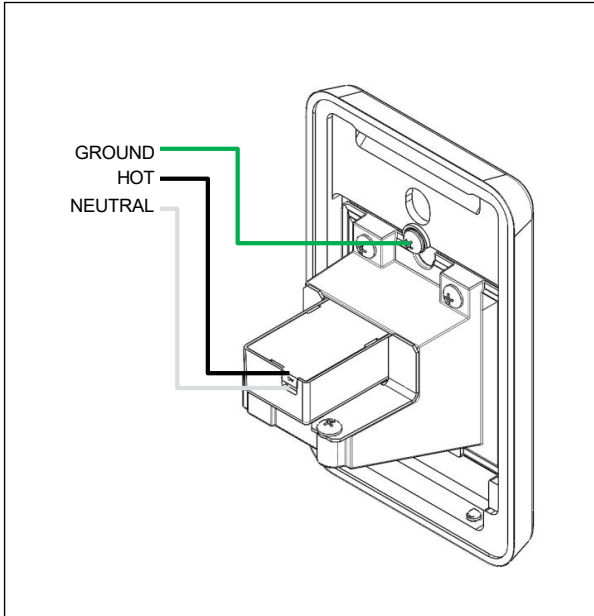


Increasing Light Level

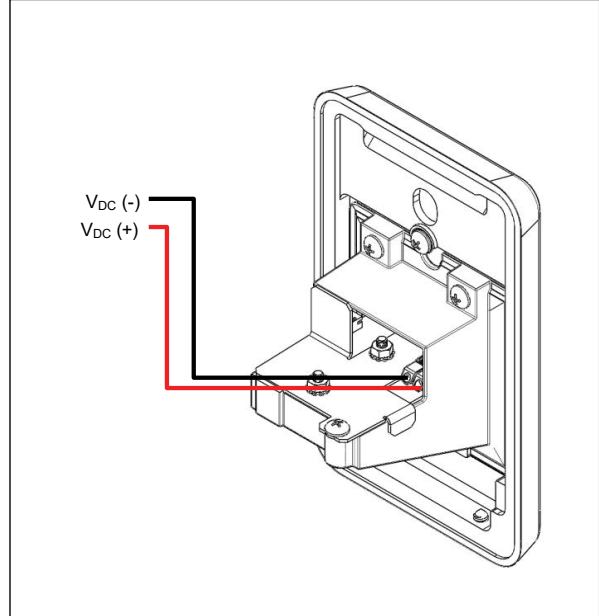


Wiring

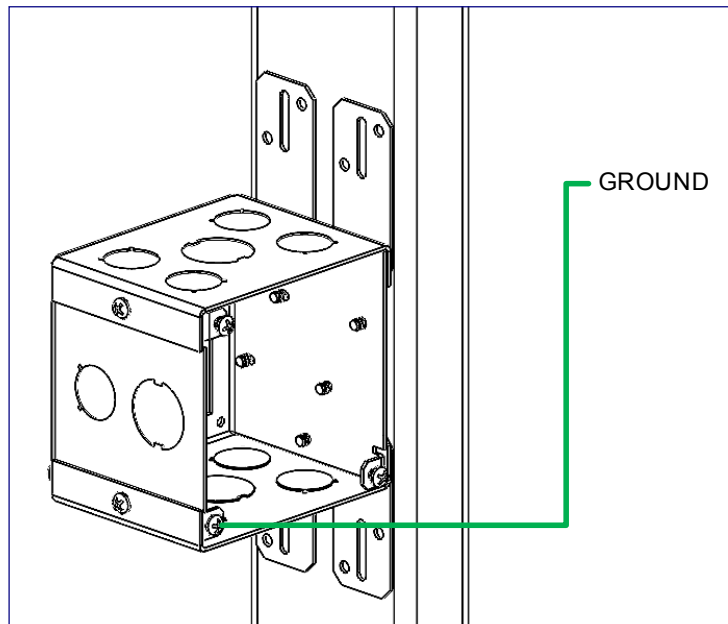
MVOLT



57VDC



TWJBOX



DC2DC

DC-powered Lighting, DC2DC Architecture

Acuity Brands' DC2DC architecture provides for distributed low-voltage DC power and digital controls for a range of LED luminaires, including the NBNL. The DC2DC architecture enhances an LED lighting system's efficiency by eliminating the need and cost to convert AC to DC power at the luminaire and facilitating the installation and commissioning of lighting controls. Intrinsically more efficient by design, our DC-powered lighting architecture also delivers savings at design and installation, facilitates maintenance, and empowers lighting design focused on sustainable and well-being applications.

Components include:

- DCHUB (ordered separately), distributes DC power and optionally control to up to 1080 VA of DC-powered LED luminaires including support for emergency lighting.*
- 57 VDC powered LED luminaires, with Static CCT or Tunable White, based on control options.
- nLight® lighting control
- Integral or offboard wired networked lighting control, with nLight control devices (ordered separately).
- Embedded nLight AIR wireless devices in 57VDC powered Static CCT LED luminaires.
- Class 2 power and control cables.

*The number of luminaires that can be supported by a single DCHUB port is a function of luminaire wattage and conductor losses. Please refer to the fixture wattage listed and the **DCHUB** spec sheet for additional details. Alternatively, the LED luminaires can be supplied by an approved, UL Listed, Class 2 power source supplying at least 52 VDC at the input to the luminaire.

Note:

All NBNL luminaires require 57VDC option along with the DCHUB (ordered separately).

When ordered with the integral Photocell, only 2 #16 AWG (min.) conductors are necessary between the DC power source and NBNL luminaires.

When ordered without the integral Photocell, only 2 #16 AWG (min.) conductors are necessary between the DC power source and wall switch (by others) or wall switch (by others) and NBNL luminaires.

