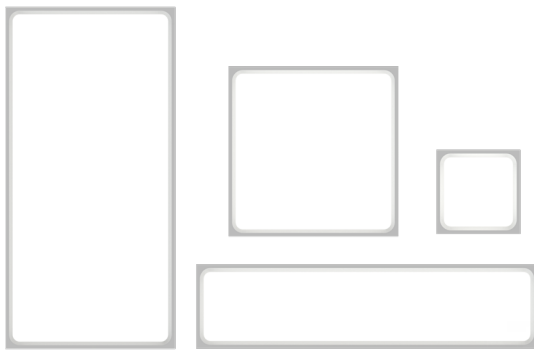


- Ligature resistant construction for use in behavioral health environments
- 1x1, 1x4, 2x2, 2x4 recessed luminaire with 1" regressed lens, adding sense of depth into ceiling plane
- Wet location, IK10, IP66 when sealed from room side
- Pairs with SensorSwitch™ IWS for local or zonal control with other luminaires

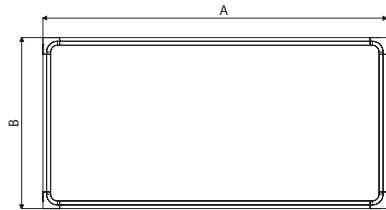
TYPICAL APPLICATIONS

Behavioral health resident room, lavatory, corridor, nursing station

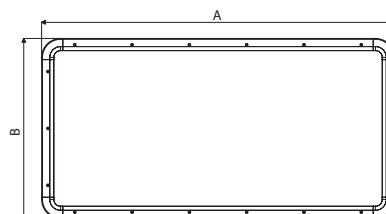


Dimensions

SIZE	A	B
1X1 G	11.75"	11.75"
1X4 G	47.75"	11.75"
2X2 G	23.75"	23.75"
2X4 G	47.75"	23.75"



SIZE	A	B
1X1 F	13"	13"
1X4 F	49"	13"
2X2 F	25"	25"
2X4 F	49"	25"



Performance Data

Lumen values are from photometric tests from an accredited laboratory. Data is considered to be representative of the configurations shown, within generally accepted industry tolerances. *Performance data based on 80CRI 35K

Size	Nominal Lumens	FPC125			FPC250		
		Delivered Lumens	Wattage	Lumens/Watt	Delivered Lumens	Wattage	Lumens/Watt
1X1	2000LM	1,981	19.2	103	1,870	19.2	97.2
	3000LM	2,953	23.6	124.9	2,718	23.6	115
1X4	4000LM	4,068	33.6	121.2	3,744	33.6	111.5
	3000LM	2,990	23.2	128.9	2,688	23.2	115.8
2X2	4000LM	4,077	32.9	124	3,665	32.9	111.5
	4800LM	4,767	36.1	132	4,344	36.1	120.3
2X4	6000LM	5,941	46.3	128.4	5,414	46.3	117
	7000LM	6,996	54.9	127.5	6,375	54.9	116.2

Catalog Number

Example: NBPN 1X4 3000LM PCM125 F MVOLT 30K 90CRI DARK ZT MWAM TXPS

Series*	Size*	Direct Lumen Output*	Lens*	Mounting*	Voltage*	LED Color Temperature*
NBPN Behavioral Health Panel	1X1 ¹ 1FT X 1FT	1500LM 1,500 Lumens	PCM125 Polycarb.125 PCM250 Polycarb.250	F ² Flange G Grid	120 120V 277 277V 347 ^{3,4,5} 347V MVOLT 120-277V	27K 2700K 30K 3000K 35K 3500K 40K 4000K 50K 5000K
		2000LM 2,000 Lumens				
		2500LM 2,500 Lumens				
	1X4 1FT X 4FT	1500LM 1,500 Lumens				
		3000LM 3,000 Lumens				
		4000LM 4,000 Lumens				
		4800LM 4,800 Lumens				
	2X2 2FT X 2FT	2000LM 2,000 Lumens				
		3000LM 3,000 Lumens				
		4000LM 4,000 Lumens				
		4800LM 4,800 Lumens				
	2X4 2FT X 4FT	3000LM 3,000 Lumens				
		4000LM 4,000 Lumens				
		4800LM 4,800 Lumens				
		6000LM 6,000 Lumens				
		7000LM 7,000 Lumens				
8500LM 8,500 Lumens						
10000LM 10,000 Lumens						

LED Color Rendering*	Minimum Dimming Level*	Control Input*	Emergency	Certification
80CRI 80CRI 90CRI 90CRI	MIN1 Constant Current, Dimming to 1% DARK Constant Current, Dimming to <1% NODIM ⁶ Non-dimming driver	ZT 0-10V control DALI DALI NLIGHT ^{3,4,7,8} nLight enabled NLTAIR2 ^{3,4,8,10} nLight Air (Wireless) Enabled OCE ^{3,4,9} Occupancy Sensor Enabled	EMG ^{4,11} Emergency nLight Device for use with Generator EMB310ST ⁴ Self-testing, self contained, 90 minute emergency battery pack. 0°C (32°F) to 55°C (131°F) Meets CA Title 20 Standards AELR ⁴ Self-testing, self contained, 90 minute emergency battery pack. GTD ³ Generator Transfer Device	CP ^{3,4} Chicago Plenum NOM NOM Certified

Finish*	Hardware
MWAM Matte White Antimicrobial MBKAM Matte Black Antimicrobial RALTBD RAL Color TBD *RALTBD for pricing only. Replace with applicable RAL call out when ready to order. See the Architectural RAL Color Brochure for available options.	TXPS Painted TORX® tamper resistant screws to match luminaire finish

* Required Fields

Notes

- Not available with OCE and 2500LM
- Requires TXPS Visible Hardware
- Not available with EMB310ST and AELR
- Not available with GTD
- Requires ZT and MIN1
- Requires OCE
- Not available with MVOLT
- Not available with CP
- Requires NODIM
- Requires MIN1
- Requires NLIGHT

Accessories: Order as separate catalog number

NTXTD TORX® Tamper Resistant Screwdriver Bit

Specifications

Housing

Constructed of 16-gauge aluminum with seam welded corners and sealed to the plenum.

Lens

Impact resistant frosted polycarbonate lenses available in 1/8" and 1/4" thickness.

Finish

Painted in durable white powder coat paint with antimicrobial* additive. *Antimicrobial properties are built in to inhibit the growth of bacteria that may affect this product. The antimicrobial properties do not protect users or others against bacteria, viruses, germs, or other pathogens.

Mounting

Grid-locked flat tee grid ceiling or recessed hard ceiling with flange frame kit for an easy and seamless installation. (Standard with FL option, see installation instructions for more details)

Source

Multiple LED lumen packages provided for (4) static white color temperature options: 3000K, 3500K, 4000K, or 5000K in 80CRI standard. All LED within a 2.5 step MacAdam ellipse.

LED Life

Greater than 70% LED lumen maintenance at 60,000 hours (L80>60,000).

Emergency (Optional)

Integrated Self-Diagnostic Emergency Driver battery pack, 10W Constant Power, Certified in CA Title 20 MAEDBS, with remote mounted test button. Generator transfer device for use with generator supply EM power.

Controls and System Networking Options

Optional integrated nLight® controls make each fixture addressable - allowing it to digitally communicate with other nLight enabled controls such as dimmers, switches, occupancy sensors, and photocontrols. Connection to nLight is simple. It can be accomplished with standard Cat-5 cabling. (cabling "by others") nLight offers unique plug-and play convenience as devices and luminaires automatically discover each other, while nLight AIR is commissioned easily through an intuitive mobile app.

Fixture Weight

Weight may vary depending upon options or accessories selected.

Size	WEIGHT
1X1 F	6.3 lbs
1X4 F	16.9 lbs
2X2 F	12.9 lbs
2X4 F	29 lbs

Environment

Wet Location standard, IK10, IP66.

Certification

CSA certified to meet U.S. and Canadian standards (UL1598 and UL8750) and CAN/CSA C22.2 No. 250. Or NOM Certified.

Government Procurement

BAA – Buy American Act: This product is available in a version that qualifies as a domestic end product under the Buy American Act as implemented in the FAR and DFARS. BABA – Build America Buy America: This product is available in a version that qualifies as produced in the United States under the definitions of the Build America, Buy America Act, as implemented by 2 C.F.R. Part 184 and other agency implementing regulations, including Department of Transportation regulations. Please refer to www.acuitybrands.com/buy-american for additional information.

Warranty

5-year limited warranty. This is the only warranty provided and no other statements in this specification sheet create any warranty of any kind. All other express and implied warranties are disclaimed. Complete warranty terms located at: www.acuitybrands.com/support/warranty/terms-and-conditions

Notes:

Actual performance may differ as a result of end-user environment and application. All values are design or typical values, measured under laboratory conditions at 25 °C. Specifications subject to change without notice.

Photometrics

Consult www.acuitybrands.com for photometry.

Photometric data based on test results from an independent NIST traceable testing lab. IES data is available at www.nightingalelighting.com. Always refer to our website for the latest IES file updates. Based on 80CRI 35K.

Size	Nominal Lumens	FPC125			FPC250		
		Delivered Lumens	Wattage	Lumens/Watt	Delivered Lumens	Wattage	Lumens/Watt
1X1	1500LM	1,561	14.7	106.6	1,474	14.7	100.6
	2000LM	1,981	19.2	103	1,870	19.2	97.2
	2500LM	2,554	26.8	95.2	2,411	26.8	89.9
1X4	1500LM	1,454	11.5	126.6	1,338	11.5	116.5
	3000LM	2,953	23.6	124.9	2,718	23.6	115
	4000LM	4,068	33.6	121.2	3,744	33.6	111.5
	4800LM	4,827	40.5	119.1	4,443	40.5	109.6
2X2	2000LM	2,182	17.6	124.2	1,961	17.6	111.6
	3000LM	2,990	23.2	128.9	2,688	23.2	115.8
	4000LM	4,077	32.9	124	3,665	32.9	111.5
	4800LM	4,978	40.6	122.8	4,474	40.6	110.3
2X4	3000LM	3,144	23.8	132.2	2,865	23.8	120.5
	4000LM	4,041	30.8	131.1	3,683	30.8	119.5
	4800LM	4,767	36.1	132	4,344	36.1	120.3
	6000LM	5,941	46.3	128.4	5,414	46.3	117
	7000LM	6,996	54.9	127.5	6,375	54.9	116.2
	8500LM	8,348	67.2	124.1	7,607	67.2	113.1
	10000LM	9,973	83.6	119.3	9,088	83.6	108.7

CCT/CRI Nomenclature	Scaling Factor
27K 80CRI	0.965
30K 80CRI	0.979
35K 80CRI	1.000
40K 80CRI	1.028
50K 80CRI	1.049
27K 90CRI	0.824
30K 90CRI	0.852
35K 90CRI	0.873
40K 90CRI	0.894
50K 90CRI	0.908

Minimum Dimming Level	Control Input	Driver	Dimming Range	Notes
MIN1	ZT	eldoLED ECOdrive	100 to 1%	LINEAR DIMMING, TO BE WIRED TO 0-10V CONTROL
MIN1	DALI	eldoLED ECOdrive	100 to 1%	LINEAR DIMMING, TO BE WIRED TO DALI CONTROL
MIN1	NLIGHT	eldoLED ECOdrive	100 to 1%	LOGARITHMIC DIMMING, TO BE WIRED TO NLIGHT CONTROL
MIN1	NLTAIR2	eldoLED ECOdrive	100 to 1%	LOGARITHMIC DIMMING, TO BE WIRED TO NLTAIR2 CONTROL
DARK	ZT	eldoLED ECOdrive	100 to 0.1%	LINEAR DIMMING, TO BE WIRED TO 0-10V CONTROL
DARK	DALI	eldoLED ECOdrive	100 to 0.1%	LOGARITHMIC DIMMING, TO BE WIRED TO DALI CONTROL
DARK	NLIGHT	eldoLED ECOdrive	100 to 0.1%	LOGARITHMIC DIMMING, TO BE WIRED TO NLIGHT CONTROL
NODIM	OCE	eldoLED ECOdrive	N/A	NO DIMMING, OCCUPANCY SENSOR CONTROLLED

High Ambient an Extended Temperature Range

The following product configurations are suitable for extended operating temperature range operation to 40°C

Note the minimum temperature ratings for controlgear

High Ambient Operating Temperature Range							
Size	Lumens	Driver	Max T	Control Input	Emergency	Control	Lumens/Watt
1X1	1000	300	40°C	ZT, DALI, NLIGHT, NLIGHTAIR2, OCE	EMG, EMB310ST, AELR	-	100.6
1X1	1500	400	40°C	ZT, DALI, NLIGHT, NLIGHTAIR2, OCE	EMG, EMB310ST, AELR	-	97.2
1X4	1500	250	40°C	ZT, DALI, NLIGHT, NLIGHTAIR2, OCE	EMG, EMB310ST, AELR	GTD	89.9
1X4	3000	510	40°C	ZT, DALI, NLIGHT, NLIGHTAIR2, OCE	EMG, EMB310ST, AELR	GTD	116.5
2X2	2000	340	40°C	ZT, DALI, NLIGHT, NLIGHTAIR2, OCE	EMG, EMB310ST, AELR	GTD	115
2X2	3000	510	40°C	ZT, DALI, NLIGHT, NLIGHTAIR2, OCE	EMG, EMB310ST, AELR	GTD	111.5
2X4	3000	470	40°C	ZT, DALI, NLIGHT, NLIGHTAIR2, OCE	EMG, EMB310ST, AELR	GTD	109.6
2X4	4000	630	40°C	ZT, DALI, NLIGHT, NLIGHTAIR2, OCE	EMG, EMB310ST, AELR	GTD	111.6
2X4	4800	760	40°C	ZT, DALI, NLIGHT, NLIGHTAIR2, OCE	EMG, EMB310ST, AELR	GTD	115.8
2X4	6000	960	40°C	ZT, DALI, NLIGHT, NLIGHTAIR2, OCE	EMG, EMB310ST, AELR	GTD	111.5
2X4	7000	1120	40°C	ZT, DALI, NLIGHT, NLIGHTAIR2, OCE	EMG, EMB310ST, AELR	GTD	110.3
2X4	8500	1380	40°C	ZT, DALI, NLIGHT, NLIGHTAIR2, OCE	EMG, EMB310ST, AELR	-	120.5

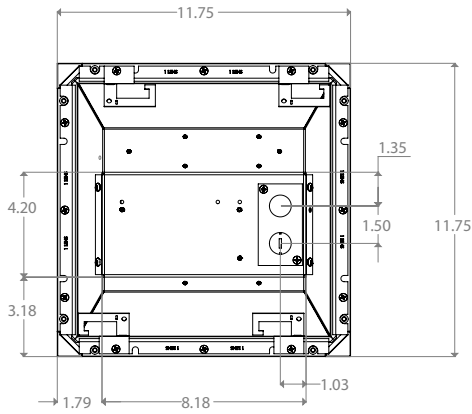
Minimum Temperature Ratings	
ZT, DALI, OCE	-20°C
NLIGHT, NLIGHTAIR2, EMG	-10°C
AELR, EMB310ST	0°C

Dimensions

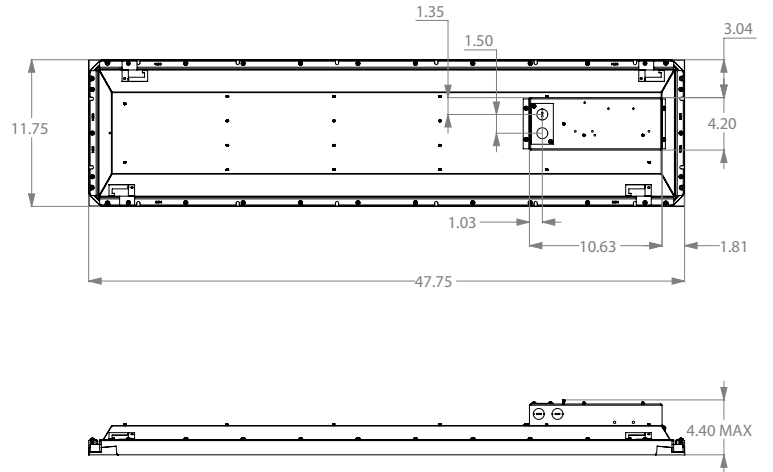
ALL DIMENSIONAL DATA SHOWN IN INCHES

G Option

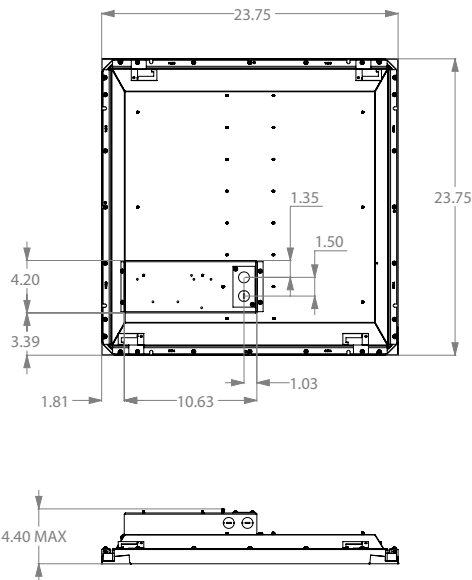
1X1 G



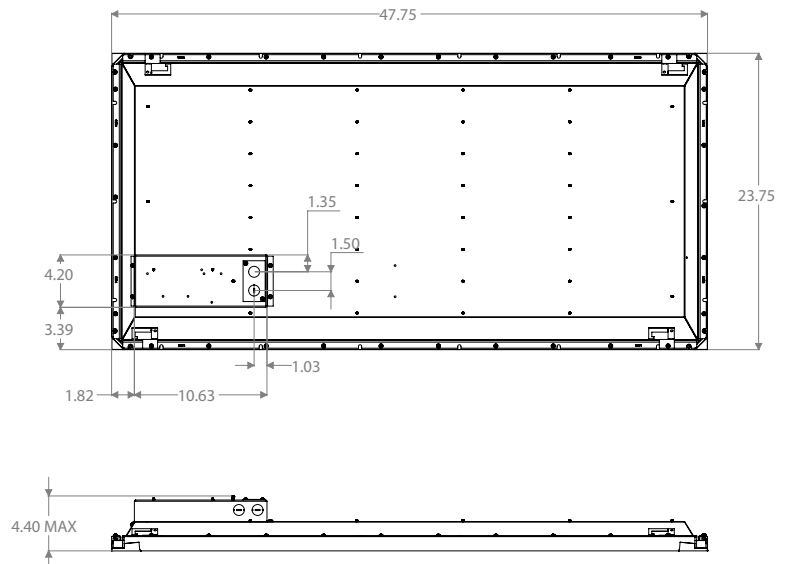
1X4 G



2X2 G



2X4 G

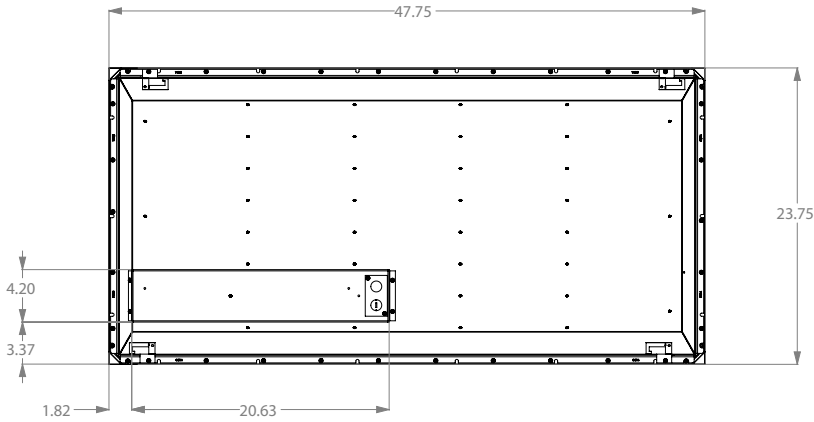


Dimensions

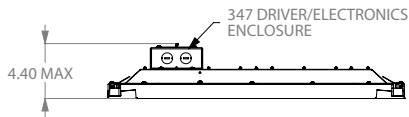
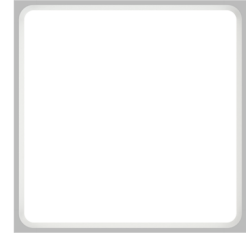
G Option

ALL DIMENSIONAL DATA SHOWN IN INCHES

2X4 347 G



G OPTION - GRID

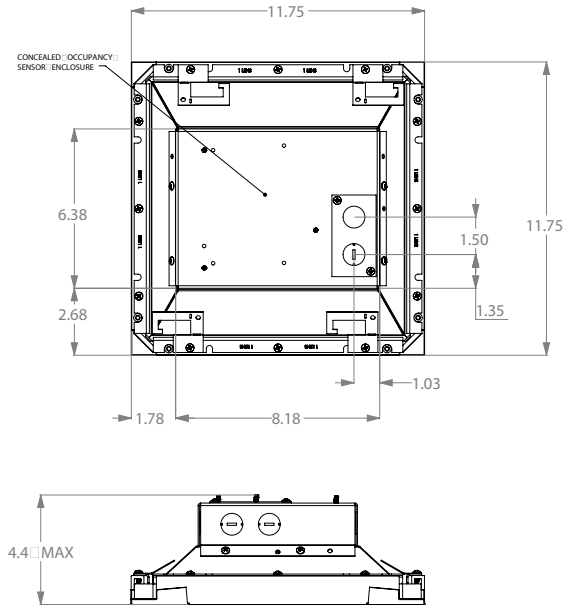


Dimensions

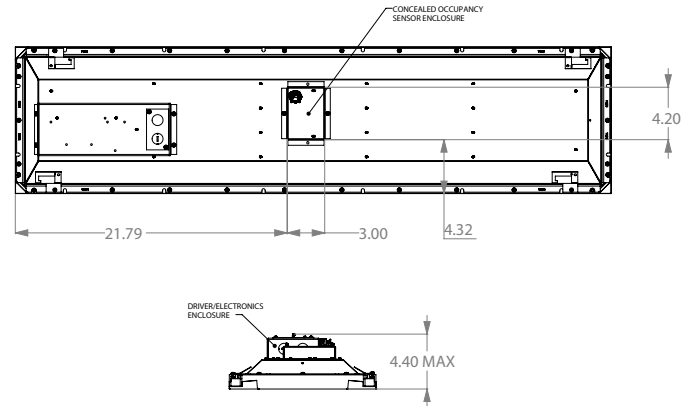
G OCE Option

ALL DIMENSIONAL DATA SHOWN IN INCHES

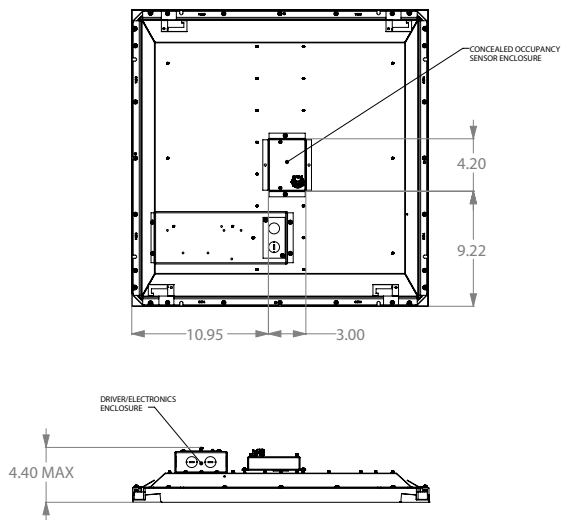
1X1 G OCE



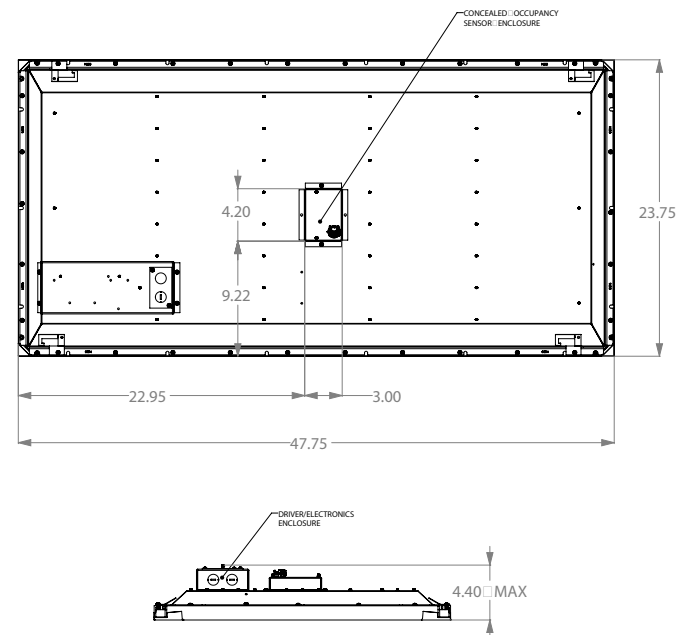
1X4 G OCE



2X2 G OCE



2X4 G OCE

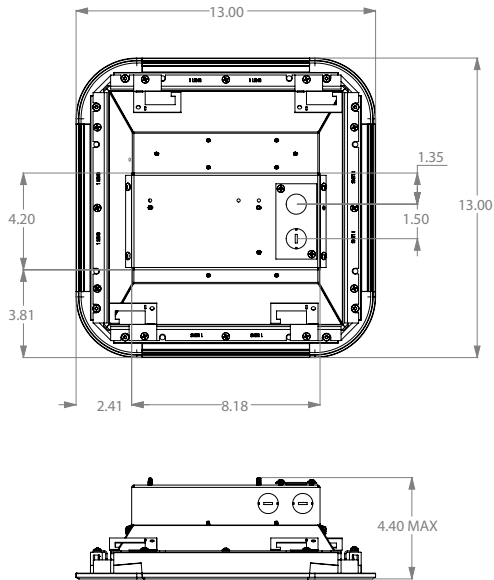


Dimensions

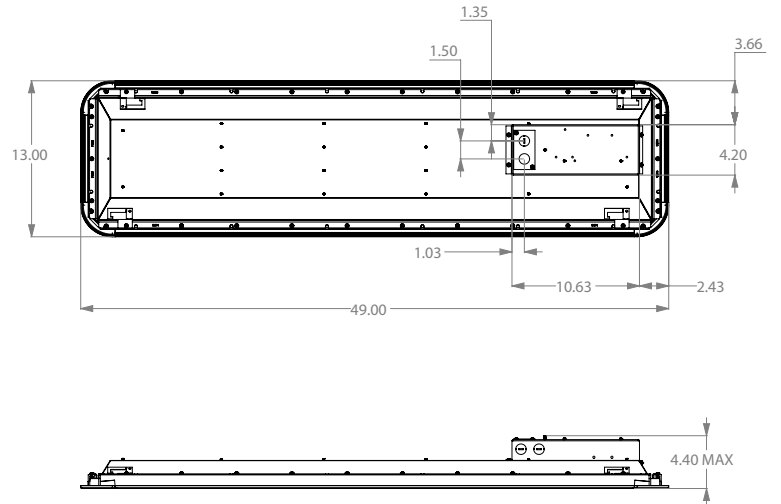
F Option

ALL DIMENSIONAL DATA SHOWN IN INCHES

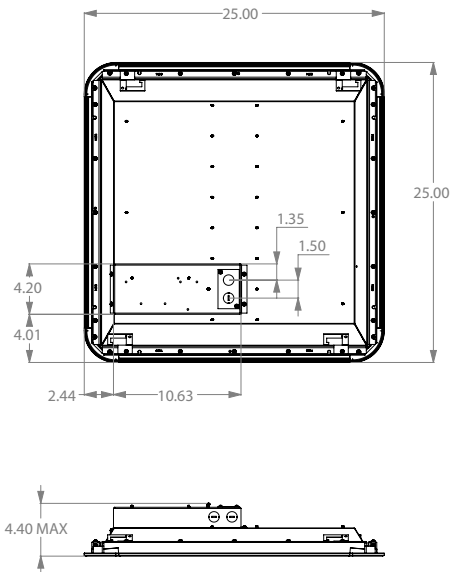
1X1F



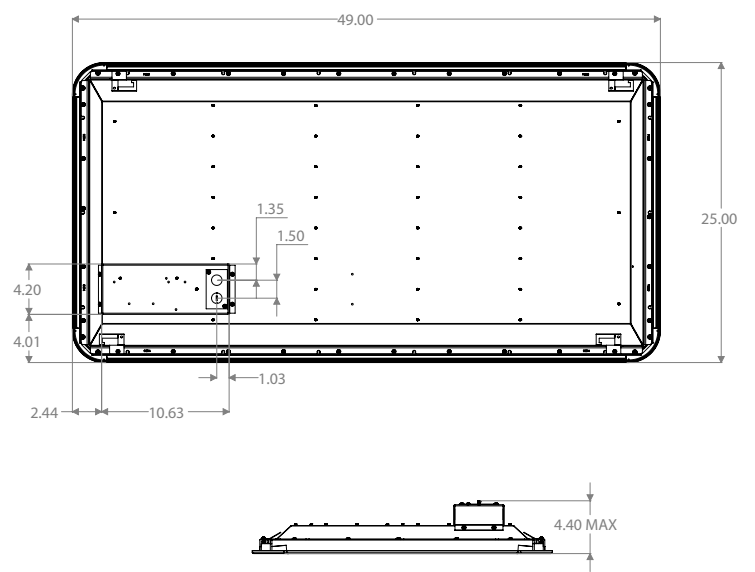
1X4 F



2X2 F



2X4 F



Dimensions

Finished Ceiling Thickness

